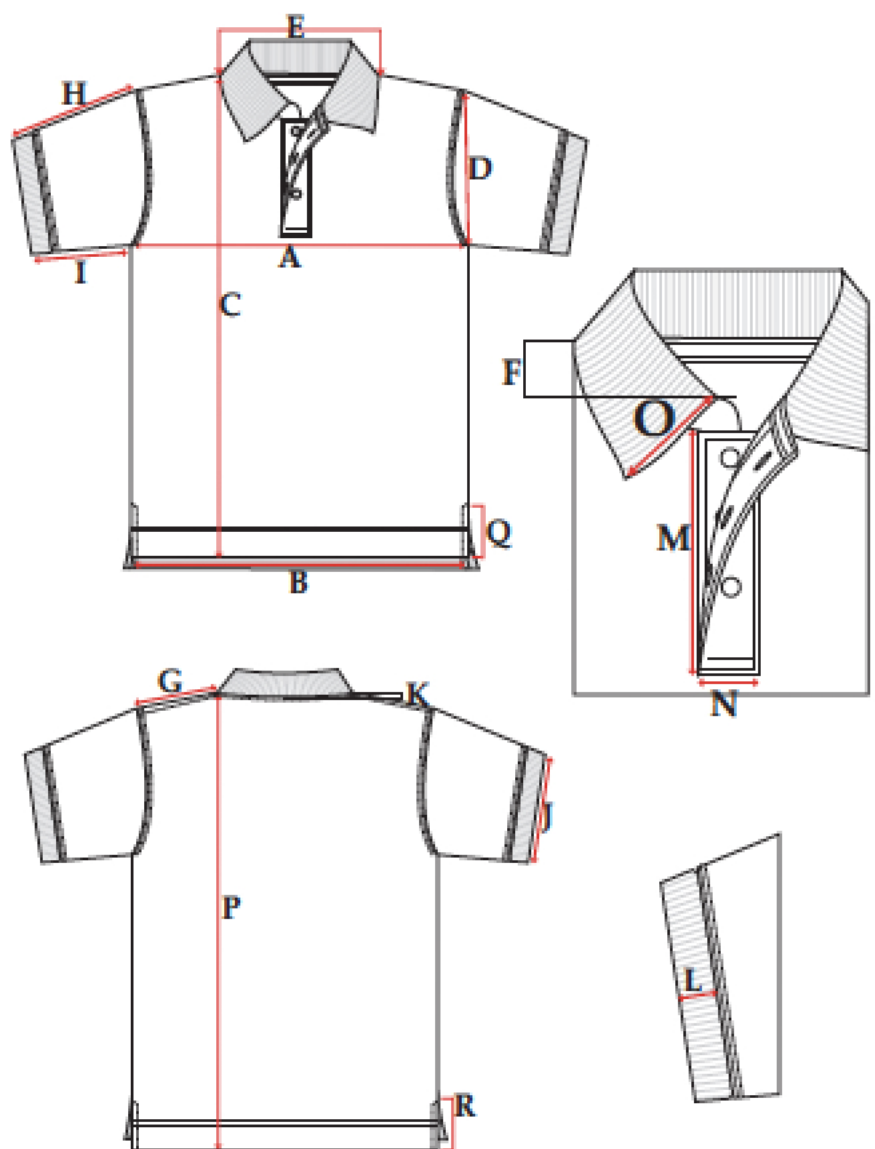


STYLE : K7  
REF :

reklamnitextil



Size in cm		S	M	L	XL	XXL	Tol.±
Chest at Armhole	A	46	50	54	58	61	1.5
Bottom	B	46	50	54	58	61	1.5
Front Length-HPS	C	66.5	68.5	70.5	72	74	1.5
Armhole Straight	D	22	23	24	25	26	0.5
Neckline	E	20	20.5	21	21.5	22	0.5
Front Neck Drop from HPS	F	7.5	8	8.5	8.5	9	0.5
Half Shoulder	G	11.5	12.5	13.5	14.5	15.5	0.5
Sleeve Incl. Rib	H	22.5	23.5	24.5	25	26	0.5
Sleeve Under Incl. Rib	I	10	10.5	11	11.5	12	0.5
Cuff	J	13.5	14.5	15.5	16.5	17.5	0.5
Back Neck Drop from HPS	K	1.5	1.5	1.5	1.5	1.5	0.5
Rib	L	2.5	2.5	2.5	2.5	2.5	0
Placket Length	M	16.5	16.5	16.5	16.5	16.5	0.2
Placket Width	N	3.5	3.5	3.5	3.5	3.5	0.2
Collar Pick	O	7	7	7	7	7	0
Back Length	P	70	72	74	75.5	77.5	1.5
Side Slit Front	Q	4.5	4.5	4.5	4.5	4.5	0.2
Side Slit Back	R	8	8	8	8	8	0.2