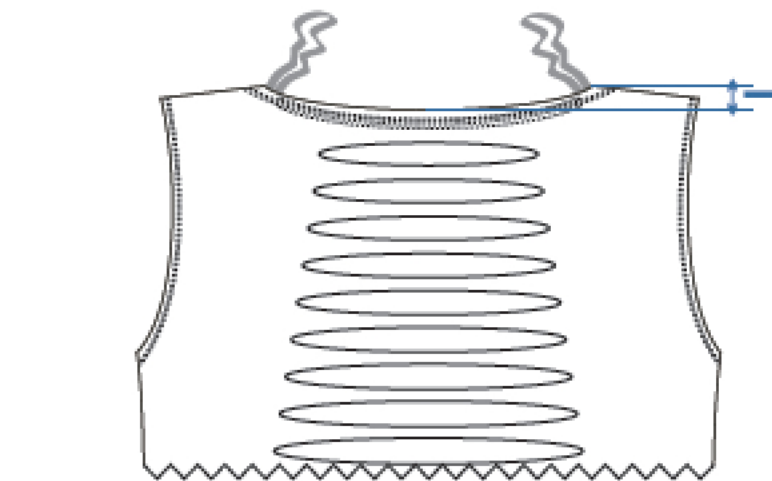
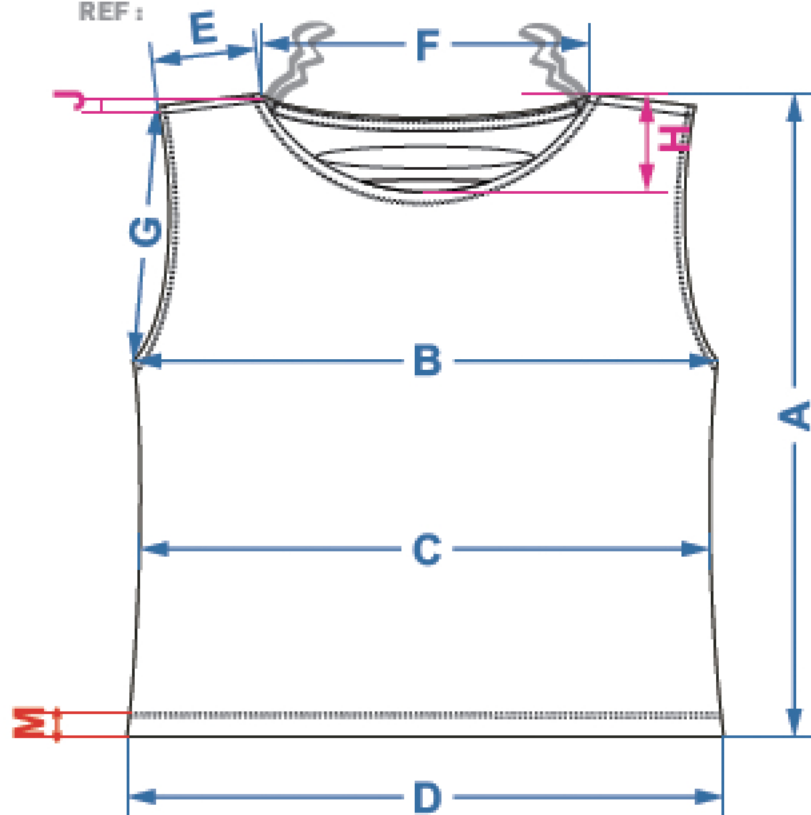


STYLE : LAX(woman)

REF :



As per shirts 2000 new measurement

SIZE		XS	S	M	L	Tol.±
Front length - HPS (Without cut)	A	50	52	54	56	1.5
1/2 Chest	B	54	57	60	63	1.5
1/2 Waist	C	52	55	58	61	1.5
1/2 Bottom	D	54	57	60	63	1.5
Shoulder	E	14	14.5	15	15.5	0.5
Neckline edge to edge	F	25	25.5	26	26.5	0.5
Armhole straight	G	19	20	21	22	0.5
Front Neck Drop frm HPS	H	11	11.5	12	12.5	0.5
Back Neck Drop frm HPS	I	4.5	4.5	4.5	4.5	0
Shoulder Drop	J	1	1	1	1	0
Hem- Neck+ Armhole	K	1	1	1	1	0
Stitching (Overlock)	L	1/8	1/8	1/8	1/8	0
Bottom Hem	M	1.5	1.5	1.5	1.5	0
Neck & Armhole hem	N	0.9	0.9	0.9	0.9	0
Back Tape	O	1	1	1	1	0